



天滌・BIO SANITIZER

自動感應手部消毒機
Auto Hand Disinfector

AD2300

使用說明書
User Manual

很感謝閣下選擇AQ天滌

AD2300自動感應手部消毒機

將為你帶來前所未有的個人衛生體驗。

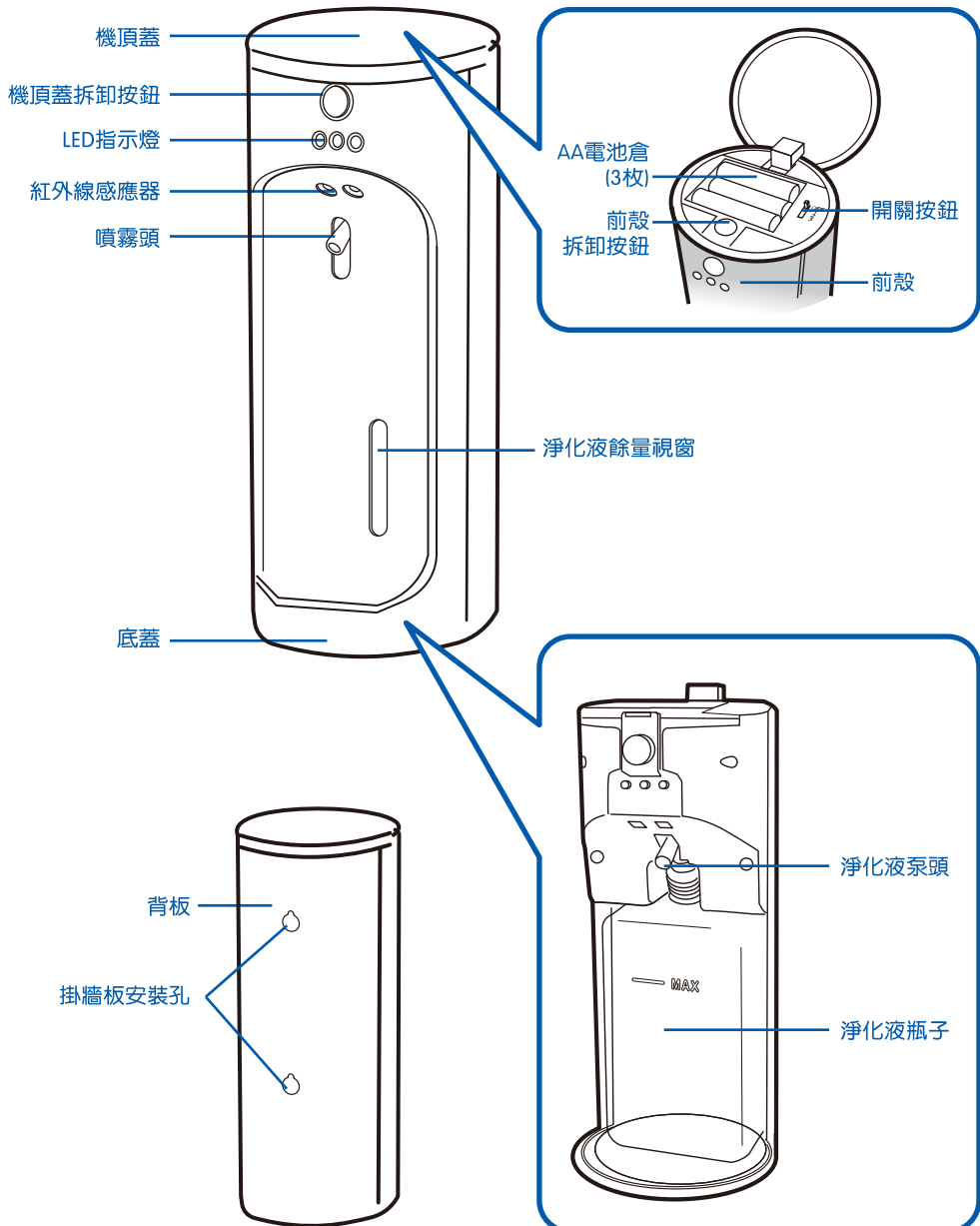
本產品是專為發揮AQ天然殺菌淨化液的強勁功能而設計的。

在使用本設備前，請細閱本使用說明書。

目錄

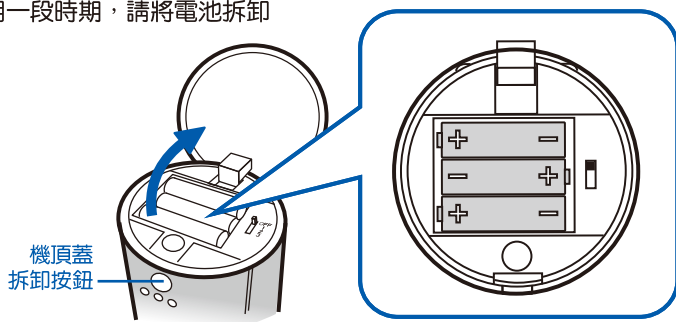
部件名稱	○
安裝電池說明	○
補充淨化液	○
操作/模式設定	○
手部消毒	○
規格	○

部件名稱



安裝電池說明

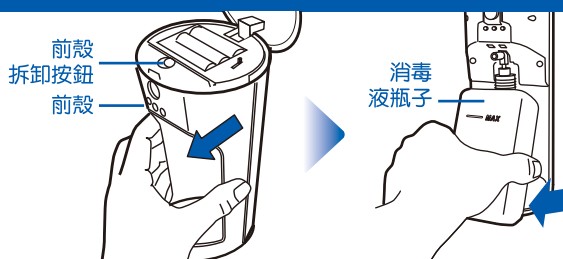
- 1. 按住機頂蓋拆卸按鈕，開啓機頂蓋
- 2. 裝入3枚AA鹼性電池
- 3. 當LED指示亮紅燈時，請更換新電池
- 4. 如消毒機不使用一段時期，請將電池拆卸



補充液體說明

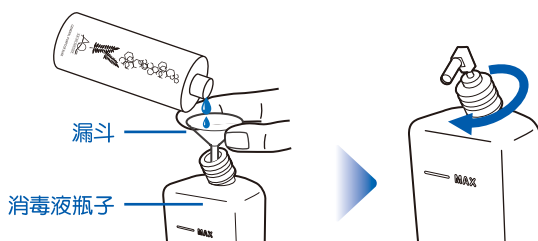
1. 取出淨化液瓶子

- 1. 按住前殼拆卸按鈕
- 2. 開啓前殼
- 3. 輕輕取出淨化液瓶子



2. 注入補充液

- 1. 注入AQ天然殺菌淨化液，以不多於最大容量刻度(MAX)爲限
- 2. 把消毒液瓶子復位
- 3. 蓋回前殼



操作 / 模式設定

- 開啓頂部翻蓋
- 選擇開關按鈕1, 2或3次連續噴灑模式
- 消毒機會進行自動調節，LED指示燈會閃爍數秒
- 當綠色LED燈慢閃時，消毒機便可正常運作
- 關上頂部翻蓋

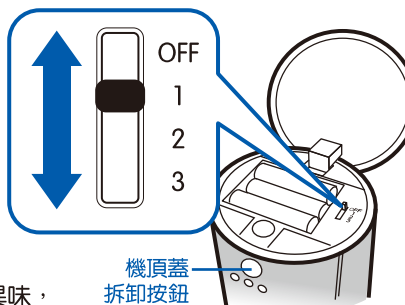
連續噴灑模式操作

OFF 關閉消毒機

1 噴灑1次
適用於小孩或手型較小的人仕

2 噴灑2次
適用於成人的雙手，左右各1次

3 噴灑3次，
適用於加強手部衛生或辟除較頑固的異味，
左、右及左右同時各1次



LED指示燈

紅燈 當LED指示亮紅燈時，請更換新電池

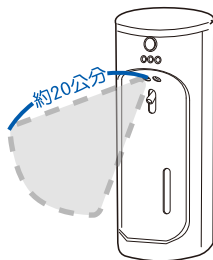
綠燈 LED指示燈會閃爍數秒，消毒機會進行自動調節
當綠色LED燈慢閃時，消毒機便可正常運作

藍燈 藍色LED燈閃爍後，噴霧頭噴出AQ天然殺菌淨化液



手部消毒

- 把手部放置在離紅外線感應器不多於20公分的範圍內消毒機將定量噴出每次約0.1毫升的淨化液
- 藍色LED燈閃爍後，噴霧頭噴出AQ天然殺菌淨化液



進行手部消毒如下圖示

- ① 彎曲雙手接收淨化液



- ② 將手掌互相摩擦



- ③ 將指尖放在另一隻手的手掌上揉搓



- ④ 用手掌揉搓另一隻手的手背



- ⑤ 十指交叉，揉搓雙手的手指之間



- ⑥ 一隻手握住另一隻手的拇指扭動揉搓



- ⑦ 細心地揉搓至雙手的手腕



- ⑧ 揉搓至淨化液乾透



如有需要，重覆以上步驟

規格

機型	AD2300
尺寸	9公分(長) x 23公分(高) x 9公分(闊)
適用電壓	DC4.5v 3顆AA(5號)鹼性電芯
瓶子容量	約300毫升(瓶子上MAX的刻度)
毛重	475克(不含電芯及淨化液)

Thank you for choosing AQ

The AD2300 Auto Hand Disinfecter is going to provide users unprecedented personal hygiene experience.

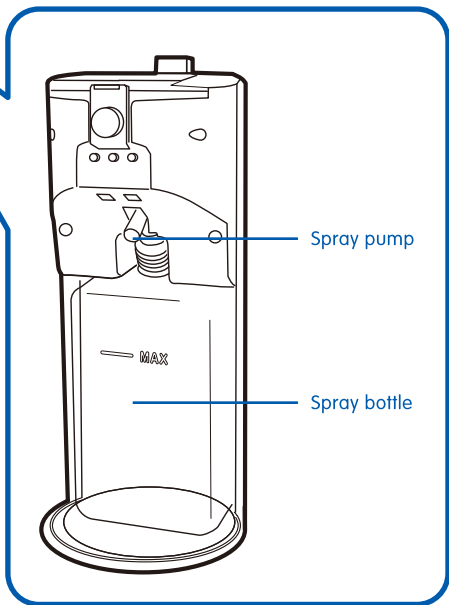
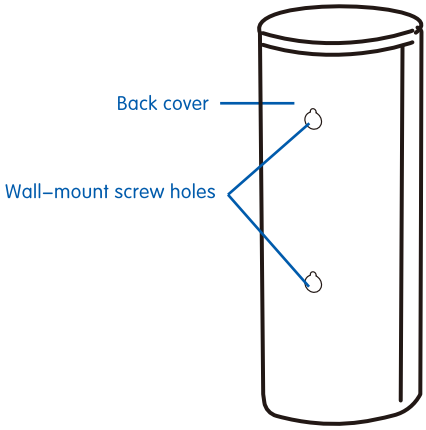
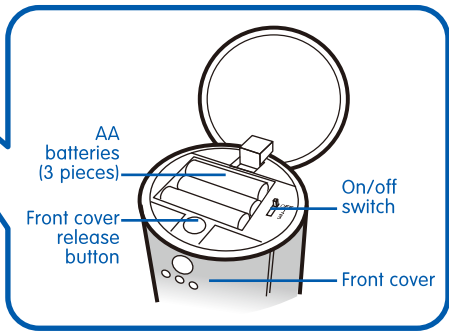
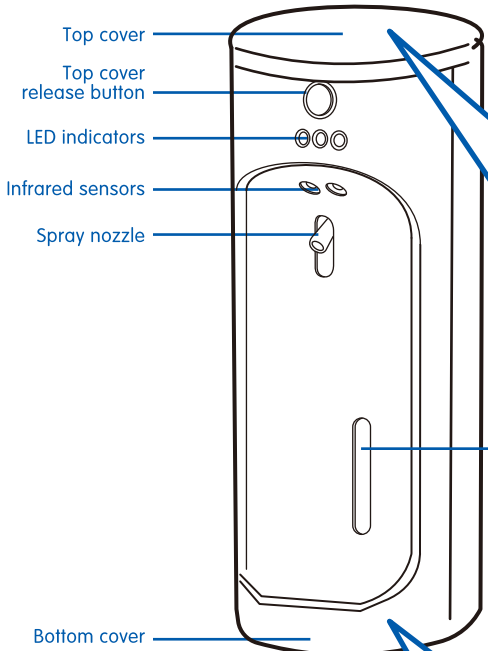
The machine is designed to maximize the effectiveness of AQ Bio Sanitizer.

PLEASE READ THIS MANUAL THOROUGHLY BEFORE USE

Index

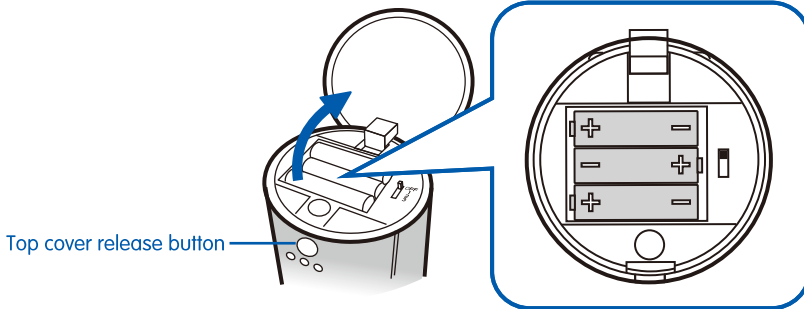
Parts Identification	○
Installing the batteries	○
Liquid Refill	○
Operation Instruction	○
Performing hand hygiene	○
Specifications	○

Parts Identification



Installing the batteries

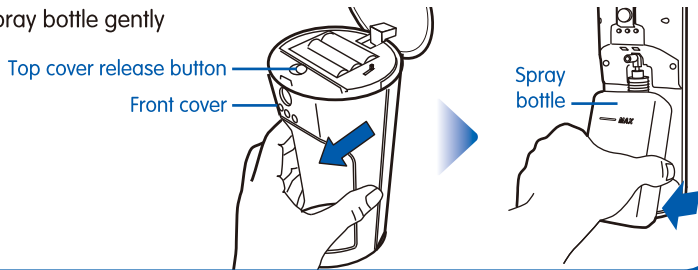
- 1. Press the top cover release button to flip open the top cover
- 2. Install 3 AA size ALKALINE batteries
- 3. Change to new batteries if the red LED light is lit
- 4. Remove the batteries if the machine is not used for a prolong period



Liquid Refill

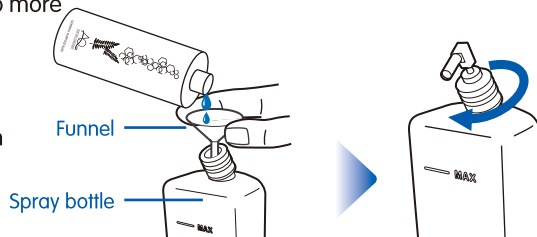
1. Remove the spray bottle

- 1. Open the front cover of the machine by pressing the front cover release button
- 2. Remove the spray bottle gently



2. Fill in AQ Bio Sanitizer

- 1. Fill in AQ Bio Sanitizer to no more than the MAX line
- 2. Reinsert the spray bottle
- 3. Put the front cover back on

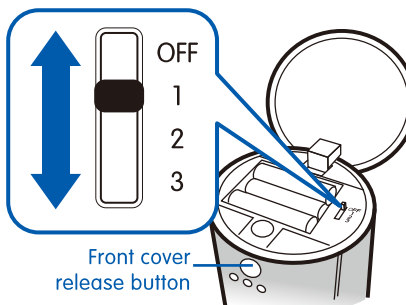


Operation Instruction

- 1. Open the top cover
- 2. Select 1, 2 or 3 times consecutive spray action by switching the ON/OFF button to the desired position
- 3. The machine will now calibrate itself and the LED lights will blink for a few seconds
- 4. When the slow blink green LED comes on, the machine is ready for operation
- 5. Close the top cover

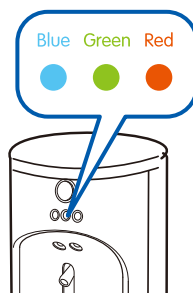
Consecutive spray option

- OFF** Switch off the Hand Disinfectant
- 1** Spray once at a time for smaller or children's hands
- 2** Spray twice in a role for adult's hands, one time for the left hand and one time for the right
- 3** Spray thrice in a role for serious hand hygiene or to remove stubborn odour, one time for the left, the right and one time for both hands



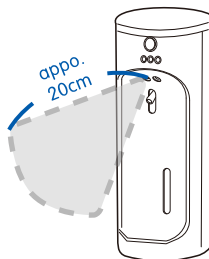
LED indicators

- Red** Change to new batteries if the red LED light is lit
- Green** When the slow blink green LED comes on, the machine is ready for operation
- Blue** The blue LED will blink just before the spray head releases AQ Bio Sanitizer



Performing hand hygiene

- Place your hands within 20 cm in front of the infrared sensors to receive the preset portion of sanitizer, approx. 0.1 ml per spray
- The blue LED will blink just before the spray head releases AQ Bio Sanitizer



Perform hand hygiene thoroughly as shown by the following diagram

- Band hands slightly to receive the sanitizer



- Rub palms against each other



- Rub fingertips against the centre of the palm



- Clean back of hand with palm



- Cross the fingers to clean between finger joints



- Hold and twist clean the thumbs



- Clean wrist carefully



- Rub hands until the sanitizer dries up



Repeat if necessary

Specifications

Model No	AD2300
Dimension	9cm (L) x 23cm (H) x 9cm (W)
Voltage	DC4.5v 3 AA size ALKALINE batteries
Bottle Capacity	approx. 300ml ("MAX" mark on the bottle)
Net Weigh	475g (not including batteries and spray bottle)

AQ 產品保養表格

AQ Product Warranty Form

姓名 手提電話
Name Mobile No.

電郵地址
Email

產品型號
Model No.

銷售商名稱 購買日期
Distributor Date of Purchase

發票號碼 機身編號(如適用)
Invoice No. Serial No. (If applicable)

(當產品需要維修保養服務時，必須提供發票正本)
(The original invoice must be presented when maintenance service is required)



條款及細則

Terms & Conditions

- 由購買日期起開始計算，閣下之已登記產品享有12個月保養期
- 當根據本保養條款提出任何申索時，閣下必須提供購買產品時的發票正本(發票需清楚標明購買日期)
- 用戶必須遵照說明書內指引使用產品，免費保養服務不包括因任何不正確使用方法導致的損壞
- 用戶在以下情況需要自行負責修理費用：
 - 該產品並非由 AQ 或其授權銷售商所供應
 - 由於水、火、意外、疏忽、使用不當或濫用、輸入不合適液體或電壓、充電池問題、正常損耗及任何擅自修理或改裝所造成之損壞
- 若產品需要維修，用戶須負責將機件送往本公司之維修中心及由中心取回產品的運輸費用
- AQ 保留一切更改或取消任何保養條款的絕對權利而毋需另行通知
- 如有任何爭議，AQ 保留最終解釋權和決定權

- Your registered product is entitled to a 12-month warranty period from the original date of purchase.
- The original invoice (with date of purchase clearly indicated) for the product must be provided when making any claim under this warranty.
- The user must follow the guidance of the user menu to operate the product. All damages caused by misuse will not be covered by this warranty.
- This warranty does not cover:
 - Product not sold by AQ or an authorized distributor.
 - Damages caused by water, fire, accident, negligence, abuse or misuse, improper liquid or voltage input, rechargeable battery problems, normal wear and tear, any unauthorized repair or being tempered with.
- Should the product require repair services, the customer is responsible for the transportation cost to and from the service centre.
- AQ Bio Technology Group Ltd reserves the right to amend or cancel any of the terms and conditions of this warranty without prior notice.
- In case of dispute, AQ reserves the right to final decision.

艾橋生物科技製造有限公司
AQ Bio Technology Manufacturing Ltd.

☎ (852)3691 9991 📞 (852) 9529 8000 📠 (852)3691 9990 ✉ office@aq-bio.com



www.aq-bio.com

請將表格寄回：

觀塘鴻圖道81號Contempo Place8樓 (艾橋生物科技集團有限公司收) 並於信封面註明：「AQ產品保養登記」

Please fill out this form and submit it by post marked with "AQ Product Warranty Registration" to:

AQ Bio Technology Group Ltd, 8/F., Contempo Place, 81 Hung To Road, Kwun Tong, Kowloon, Hong Kong.